

TIMBERCRAFT

Custom Dovetailed Drawers

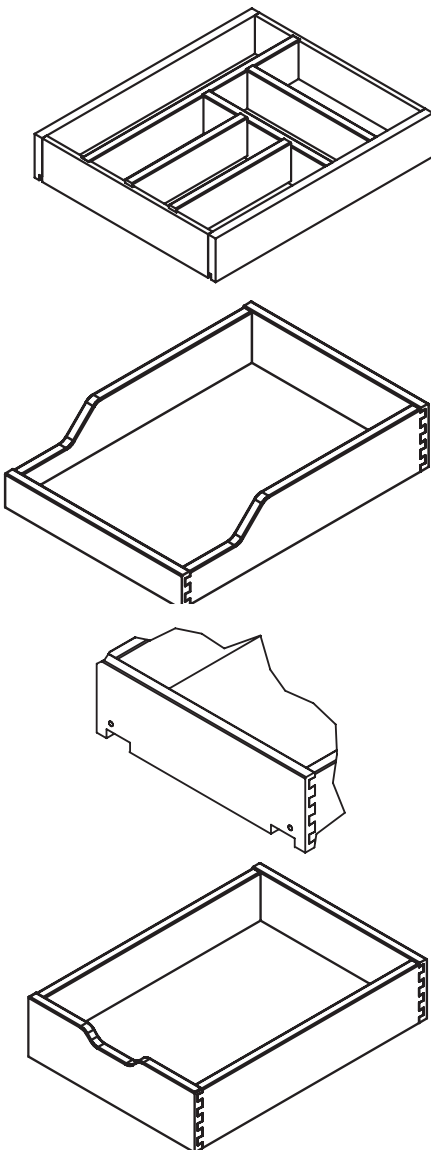
Made in New England

In CT 860-355-5538

Toll-free 800-345-4930

Fax 860-355-1274

info@timbercraftdrawers.com



New Account Information

Business Name _____

Address _____

City _____ State _____ Zip _____

Email Address _____

Phone _____ Cell Phone _____ Fax _____

Shipping Address is a () Commercial Zone () Residential Zone

Is there a loading dock? () Yes () No

Payment

Name on Credit Card _____

Credit Card Billing Address _____
(If different than above)

City _____ State _____ Zip _____

Phone # of Card Owner _____

Credit Card Type: () VISA () MC () AMEX

Credit Card Number _____

Expiration Date _____ 3 or 4-Digit Security Code on back _____

Signature _____

Due to the speed at which we process and complete orders it is recommended that customers maintain a current Visa/MC or Amex on file with us. Credit cards are only charged the afternoon of the day prior to order completion. Checks are accepted but will delay orders.

To be exempt from CT tax you must fill out the tax exception form on page 13 of our brochure or on our website at www.timbercraftdrawer/order-forms/